

TURIN

Installation and Operating Instructions

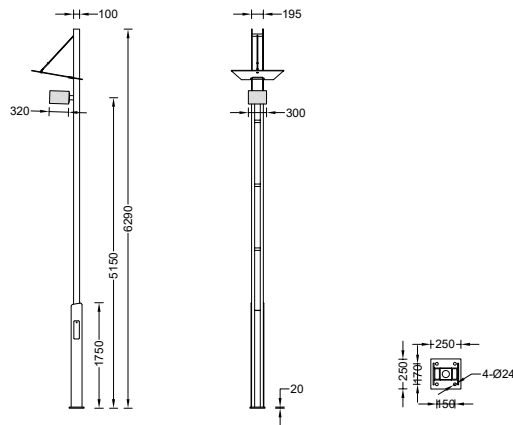
安 装 使 用 说 明

Version 2022.1



Pole-top luminaires / 杆顶灯

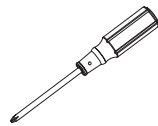
9 14x 06 xx Turin



Important Information / 重要信息

1. The installation and maintenance of the product can only use the original parts, and the installation and operation of the equipment shall be subject to national and international regulations.
本产品安装和维护工作只能使用原厂配件，设备的安装和操作适用于国家和国际法规。
2. DMK is not liable for any damages resulting from improper or unskilled conduct.
DMK 不承担任何因不当或不熟练行为而造成的损害赔偿。
3. Only qualified installation personnel are allowed to assemble and install products obtained from the DMK.
只允许有安装资质的人员组装和安装从 DMK 获得的产品。
4. The contents of this manual are subject to change without prior notice. Please refer to the material in kind.
本说明书的内容如有变更，恕不另行通知。请以实物为准。
5. If in doubt, please contact the supplier.
如有疑问，请与供应商联系。

Toolings / 工具



十字螺丝刀



6/8mm 内六角扳手



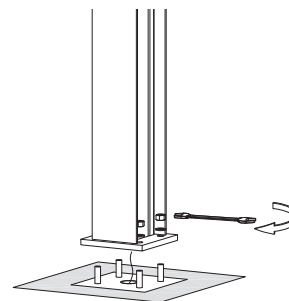
14/30mm 开口扳手

Recommended Installation Procedure / 推荐安装过程

1. Fix the fixture on the embedded part with M20 nut and $\varnothing 20$ mm flat pad.
用 (M20 螺母、 $\varnothing 20$ 平垫) 将灯杆固定在预埋件上。

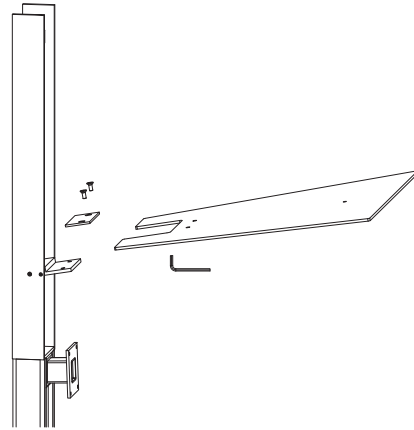


Keep the pole perpendicular to the ground.
使灯杆与地面保持垂直。

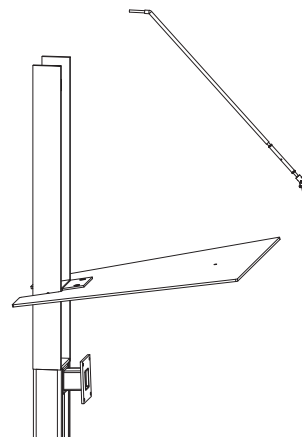


Recommended Installation Procedure / 推荐安装过程

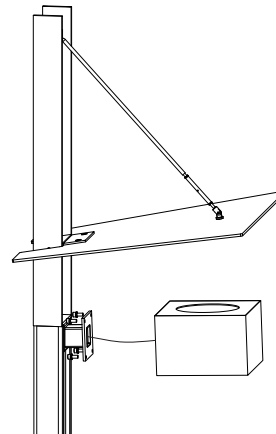
2. Fix the reflector plate to the pole with 4-M10×25 inner hexagon countersunk head screws and clips.
 将反光板夹入压板，用 4-M10×25 内六角沉头螺钉固定于主杆。



3. Connect the pull rod to the pole and reflector plate respectively and fixed with M8 nut.
 将拉杆分别穿入灯杆和反光板用 M8 螺母固定。



4. Put the power Cable into pole and fix the fixture with 4-M10×25 inner hexagon screw..
 将电源线穿入灯杆，灯头采用 4-M10×25 内六角螺钉与灯杆连接。



Recommended Installation Procedure / 推荐安装过程

5. Open the access door with the triangle key and connect the 220V power supply.
用三角钥匙打开灯具检修门，连接 220V 电源。



This step should be operated by professional personnel to avoid electric shock.

此步骤需由专业人员操作，以免发生触电危险。

